

# GalvinAssist<sup>®</sup> Folding Grab Rails

## PRODUCT CODES:

- 105.62.08.31 LEFT HAND
- 105.62.08.41 RIGHT HAND



## SPECIFICATIONS

- The GalvinAssist<sup>®</sup> range of Stainless Steel folding grab rails provides safe and reliable fixtures for WC's and accessible areas in health institutions, hospitals, aged care facilities and nursing homes.

## TECHNICAL DATA

<b>Features:</b>	<ul style="list-style-type: none"> <li>- Includes factory fitted stainless steel toilet paper holder.</li> <li>- Locks in horizontal or vertical positions.</li> <li>- Chrome plated brass push button release, base housing and concealed "T" mount bracket</li> <li>- Tested by ANTL to 230 kg</li> </ul>
<b>Fixings:</b>	Rails are supplied with stainless steel fixing screws.
<b>Finish:</b>	Satin Stainless Steel.

**NOTE:** Galvin Specialised continually strive to improve their products. Specifications may change without notice.

## MOUNTING DETAILS

 **MUST BE FITTED TO A SOLID WALL OR OTHER SURFACE.**

Grade 304 Stainless Steel M8 x 75mm hexagon coach screw and 10mm wall plugs supplied.

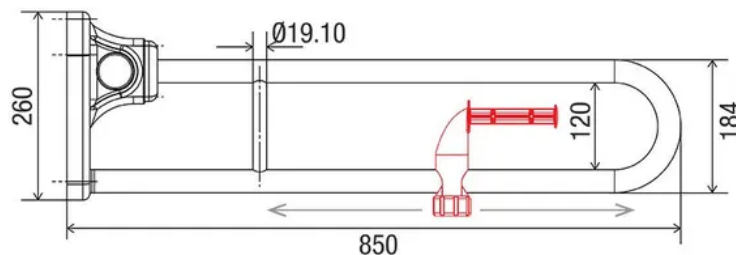
For fixing to timber, use only hexagon coach screws.

For fixing to brickwork, block work or concrete use the hexagon coach screw with the 10mm wall plugs or equivalent.

**WARNING:** Install with stainless steel 304 or 316 screws. Other types of screws may rust and void warranty.



## DIMENSIONS

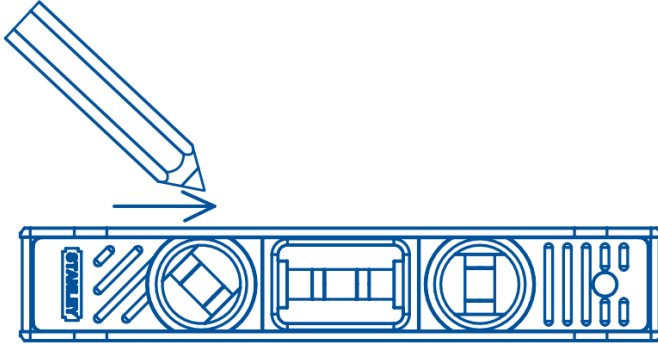




## Product Installation Guideline

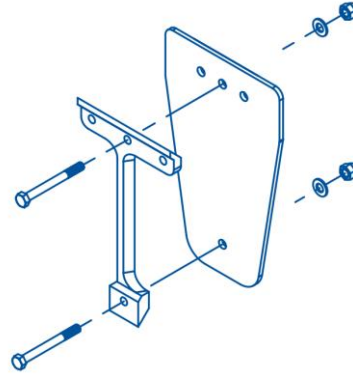
Version 1, 23 June 2020, Page 2 of 3

### POSITIONING WALL MOUNT



Mark horizontal line on wall 830-840mm from floor. Position wall mount with top fixing holes on horizontal line. Offset centre holes 25mm right of required centre of grab rail.

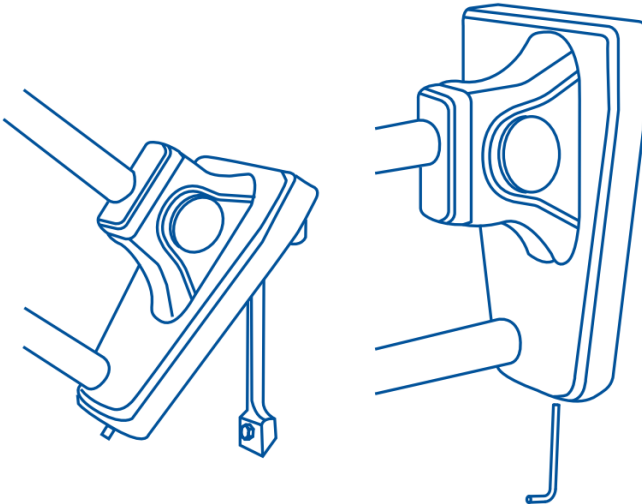
### FIXING WALL MOUNT



Screw wall mount to wall with stainless steel coach screw supplied.

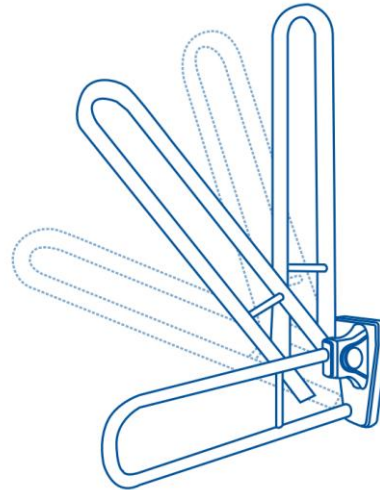
**Note:** On stud wall, make sure wall mount is fixed into studwork and noggins. For masonry walls, use wall plugs supplied.

### FIXING FOLDING GRAB RAIL TO WALL MOUNT



Place folding grab rail over the wall mount and fasten with grub screw to secure.

### OPERATING FOLDING GRAB RAIL



Press release button to raise or lower folding grab rail.



## WARRANTY

The warranty set forth herein is given expressly and is the only warranty given by the Galvin Engineering Pty Ltd. With respect to the product, Galvin Engineering Pty Ltd makes no other warranties, express or implied. Galvin Engineering Pty. Ltd. hereby specifically disclaims all other warranties, express or implied, including but not limited to the implied warranties of merchantability and fitness for a particular purpose.

Galvin Engineering Pty Ltd products are covered under our manufacturer's warranty available for download from [www.galvinengineering.com.au](http://www.galvinengineering.com.au) Galvin Engineering Pty Ltd expressly warrants that the product is free from operational defects in workmanship and materials for the warranty period as shown on the schedule in the manufacturer's warranty. During the warranty period, Galvin Engineering will replace or repair any defective products manufactured by Galvin Engineering without charge, so long as the terms of the Manufacturer's warranty are complied with.

The remedy described in the first paragraph of this warranty shall constitute the sole and exclusive remedy for breach of warranty, and Galvin Engineering Pty Ltd shall not be responsible for any incidental, special or consequential damages, including without limitation, lost profits or the cost of repairing or replacing other property which is damaged if this product does not work properly, other costs resulting from labour charges, delays, vandalism, negligence, fouling caused by foreign material, damage from adverse water conditions, chemical, electrical or any other circumstances over which Galvin Engineering has no control. This warranty shall be invalidated by any abuse, misuse, misapplication, improper installation or improper maintenance or alteration of the product.

